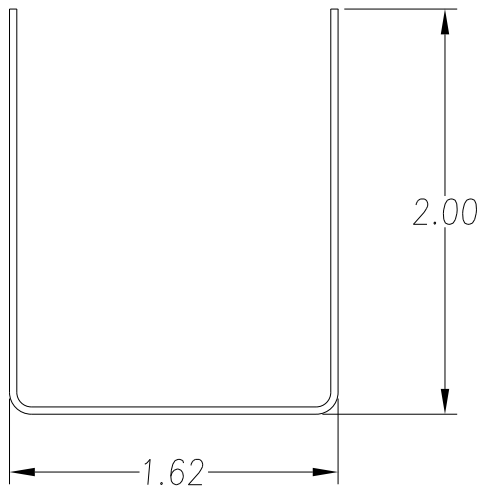
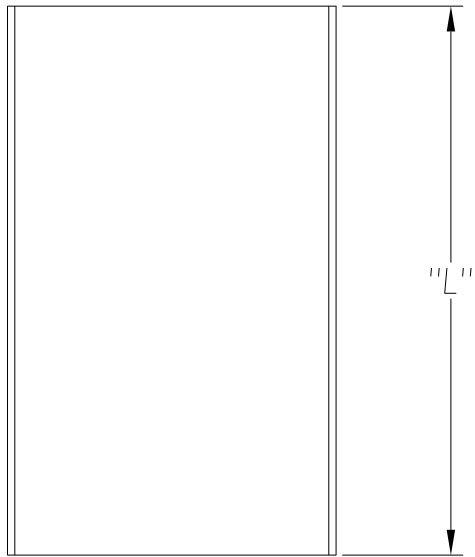



REVISION			
REV	DESCRIPTION	DATE	BY



SEE PO FOR MATERIAL TYPE AND FINISH
 FOR LENGTH DIMENSION ("L"), SEE PURCHASE ORDER.
 LENGTH TOLERANCE: LESS THAN 60": $\pm 1/16"$ LESS THAN 120": $\pm 1/8"$, 120" OR GREATER: $\pm 1/4"$
 MAXIMUM BURR NOT TO EXCEED 10% OF MAT'L THICKNESS WITH THE EXCEPTION OF CUT ENDS,
 WHICH MAY HAVE BURR EXCEEDING THIS AMOUNT.
 FINISHED PART MAY EXHIBIT TYPICAL ROLL FORMED END FLARE UP TO THREE INCHES FROM ENDS.
 PROFILE DIMENSIONS TO BE MEASURED 3" OR GREATER FROM CUT ENDS.

MATERIAL	GAUGE 20	WIDTH	FINISH
COATING	THIS DRAWING AND ITS CONTENTS ARE CONFIDENTIAL AND ARE NOT TO BE REPRODUCED, USED OR COPIED IN WHOLE OR IN PART OR DISCLOSED TO OTHERS EXCEPT AS AUTHORIZED BY SAMSON ROLL FORM PRODUCTS	SAMSON ROLL FORMED PRODUCTS	
TEMPER			
WT. PER M/FT.			
DRAWN BY: L.S.B. 9-17-12		DATE:	
CHECKED BY:		DATE:	
TITLE "U" CHANNEL		SIZE A	CUSTOMER
DO NOT SCALE THIS DRAWING	SCALE: 1:1	DRAWING # S-2115	SHEET #
			REV.

-TOLERANCES-
 NOT INDICATED
 .XXX ± 0.15
 .XX ± 0.30
 .X ± 0.60
 FRACTIONAL $\pm 1/32$
 ANGLES $\pm 1^\circ$
 STRAIGHTNESS .015"/FOOT
 TWIST 1"/FOOT