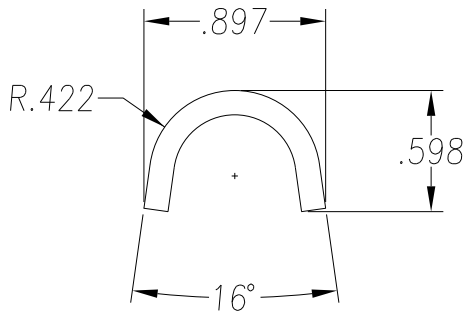
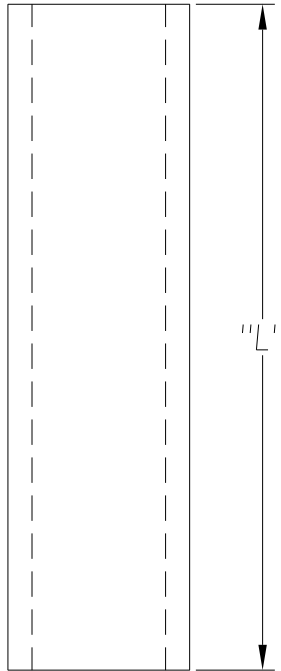



REVISION			
REV	DESCRIPTION	DATE	BY



SEE PO FOR MATERIAL TYPE AND FINISH
 FOR LENGTH DIMENSION ("L"), SEE PURCHASE ORDER.
 LENGTH TOLERANCE: LESS THAN 60": $\pm 1/16"$ LESS THAN 120": $\pm 1/8"$, 120" OR GREATER: $\pm 1/4"$
 MAXIMUM BURR NOT TO EXCEED 10% OF MAT'L THICKNESS WITH THE EXCEPTION OF CUT ENDS,
 WHICH MAY HAVE BURR EXCEEDING THIS AMOUNT.
 FINISHED PART MAY EXHIBIT TYPICAL ROLL FORMED END FLARE UP TO THREE INCHES FROM ENDS.
 PROFILE DIMENSIONS TO BE MEASURED 3" OR GREATER FROM CUT ENDS.

MATERIAL		GAUGE 11	WIDTH		FINISH			
COATING		THIS DRAWING AND ITS CONTENTS ARE CONFIDENTIAL AND ARE NOT TO BE REPRODUCED, USED OR COPIED IN WHOLE OR IN PART OR DISCLOSED TO OTHERS EXCEPT AS AUTHORIZED BY SAMSON ROLL FORM PRODUCTS			SAMSON ROLL FORMED PRODUCTS 			
TEMPER					PH 847-965-6700 FAX 847-965-8950		6101 W OAKTON ST. SKOKIE, IL 60077	
WT. PER M/FT.					TITLE SENSOR TUBE FRONT SECTION		SIZE A	CUSTOMER
-TOLERANCES- NOT INDICATED .XXX ± 0.15 .XX ± 0.30 .X ± 0.60 FRACTIONAL $\pm 1/32$ ANGLES $\pm 1^\circ$ STRAIGHTNESS .015"/FOOT TWIST 1"/FOOT		DRAWN BY: L.S.B. 9-13-12		DATE:		SCALE: 1:1		
DO NOT SCALE THIS DRAWING		CHECKED BY:		DATE:			DRAWING # S-2045	
						SHEET #		REV.