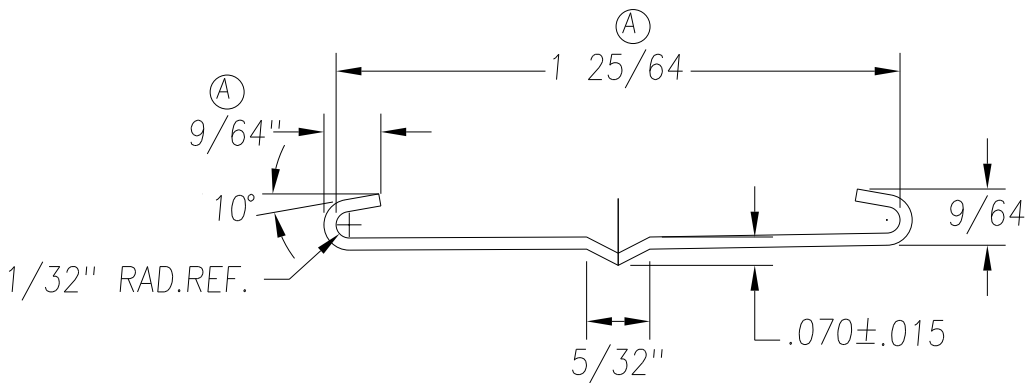
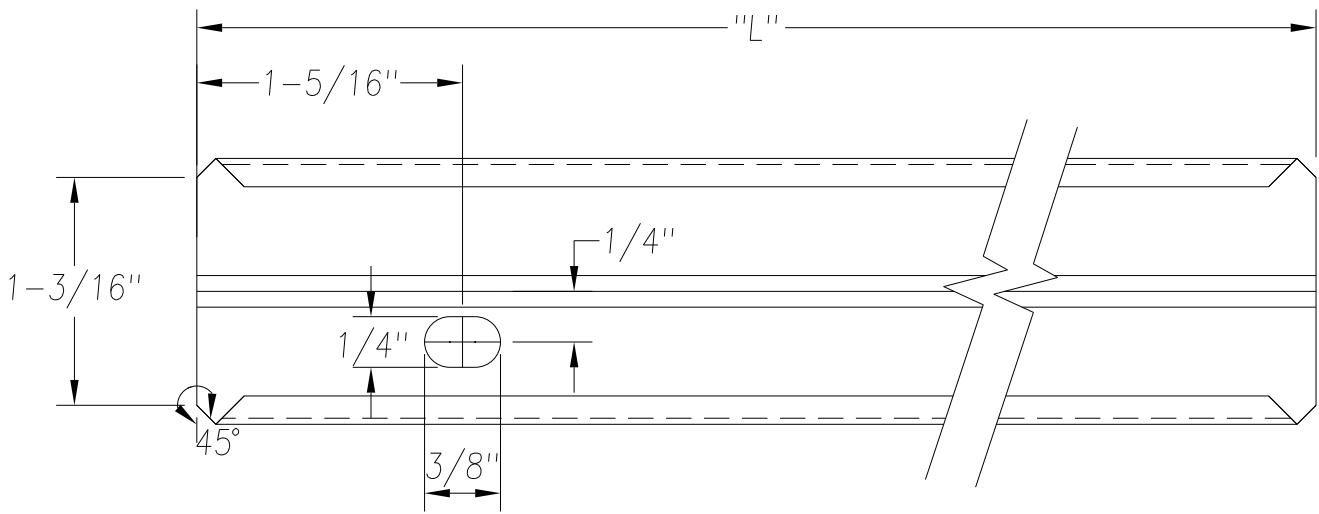


REVISION			
REV	DESCRIPTION	DATE	BY



PROFILE VIEW
SCALE: 4:1

SEE PO FOR MATERIAL TYPE AND FINISH
 FOR LENGTH DIMENSION ("L"), SEE PURCHASE ORDER.
 LENGTH TOLERANCE: LESS THAN 60": ±1/16" LESS THAN 120": ±1/8", 120" OR GREATER: ± 1/4"
 MAXIMUM BURR NOT TO EXCEED 10% OF MAT'L THICKNESS WITH THE EXCEPTION OF CUT ENDS,
 WHICH MAY HAVE BURR EXCEEDING THIS AMOUNT.
 FINISHED PART MAY EXHIBIT TYPICAL ROLL FORMED END CUT DISTORTION.
 PROFILE DIMENSIONS TO BE MEASURED 2" OR GREATER FROM CUT ENDS.

MATERIAL	GAUGE 22	WIDTH	FINISH	
ALLOY	THIS DRAWING AND ITS CONTENTS ARE CONFIDENTIAL AND ARE NOT TO BE REPRODUCED, USED OR COPIED IN WHOLE OR IN PART OR DISCLOSED TO OTHERS EXCEPT AS AUTHORIZED BY SAMSON ROLL FORM PRODUCTS	SAMSON ROLL FORMED PRODUCTS		
TEMPER				
WT. PER M/FT.				PH 847-965-6700 FAX 847-965-8950
-TOLERANCES- NOT INDICATED .XXX ±.010 .XX ±.030 .X ±.060 FRACTIONAL ±1/32 ANGLES ±1°	DRAWN BY: D.R.M.	DATE: 12-16-83	TITLE: PRICE CARD HOLDER	
	CHECKED BY:	DATE:	SIZE: A	CUSTOMER:
DO NOT SCALE THIS DRAWING	SCALE: NONE	DRAWING # S-1662	SHEET #	REV.

