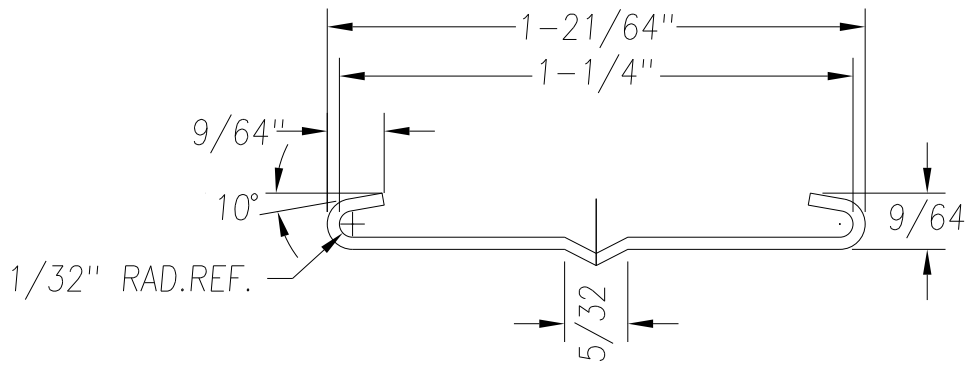
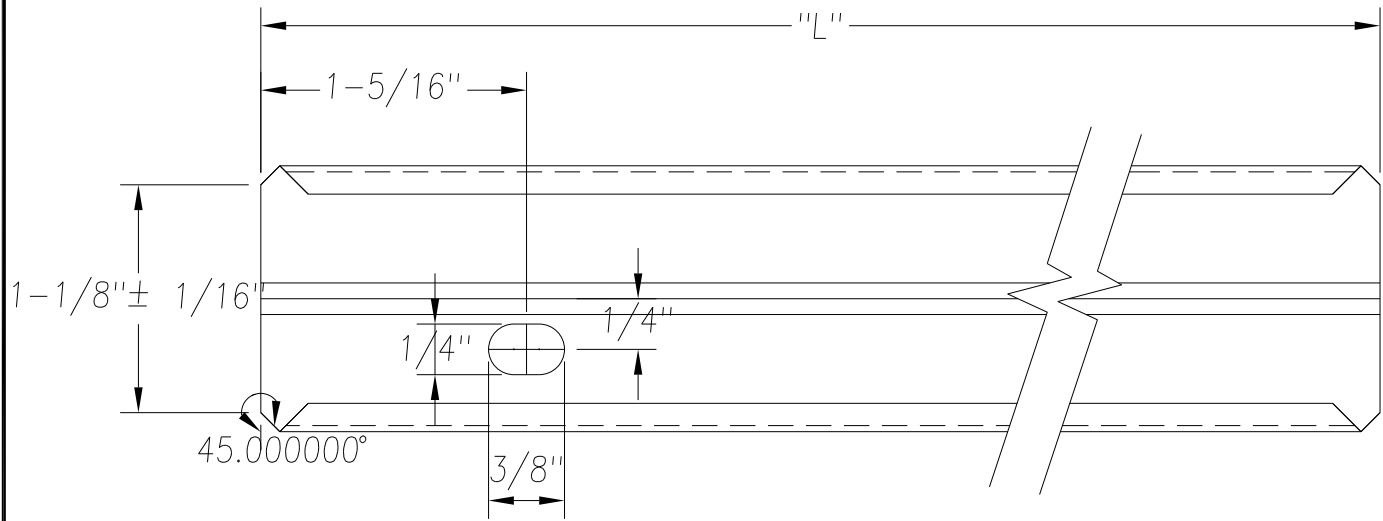


REVISION			
REV	DESCRIPTION	DATE	BY



MATERIAL	GAUGE .030	WIDTH	FINISH
ALLOY	THIS DRAWING AND ITS CONTENTS ARE CONFIDENTIAL AND ARE NOT TO BE REPRODUCED, USED OR COPIED IN WHOLE OR IN PART OR DISCLOSED TO OTHERS EXCEPT AS AUTHORIZED BY SAMSON ROLL FORM PRODUCTS	SAMSON ROLL FORMED PRODUCTS	
TEMPER			
WT. PER M/FT.			
-TOLERANCES- NOT INDICATED .XXX ±.010 .XX ±.030 .X ±.060 FRACTIONAL ±1/32 ANGLES ±1°	DRAWN BY: F.A.	DATE: 12/13/96	TITLE PRICE CARD HOLDER
	CHECKED BY:	DATE:	SIZE A
DO NOT SCALE THIS DRAWING	SCALE: NONE	DRAWING # S-1631	CUSTOMER
		SHEET #	REV.

