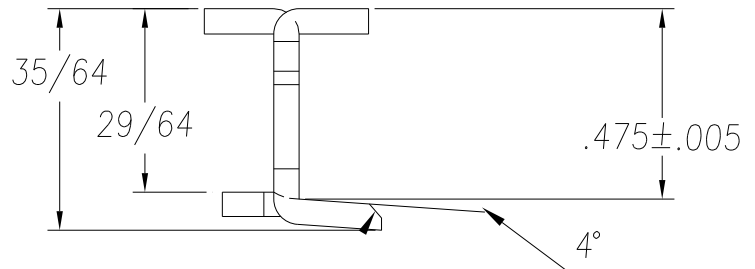
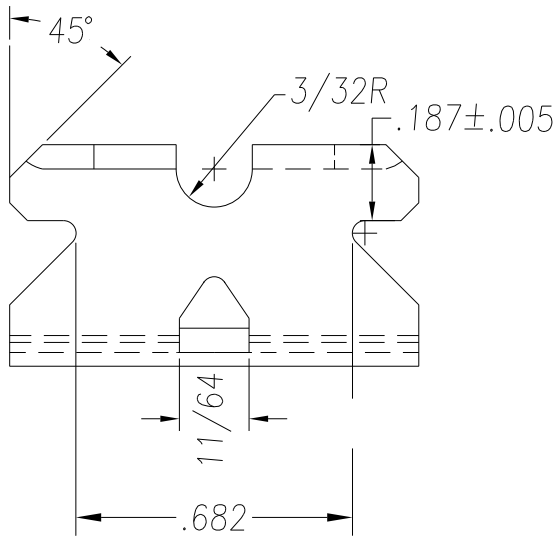
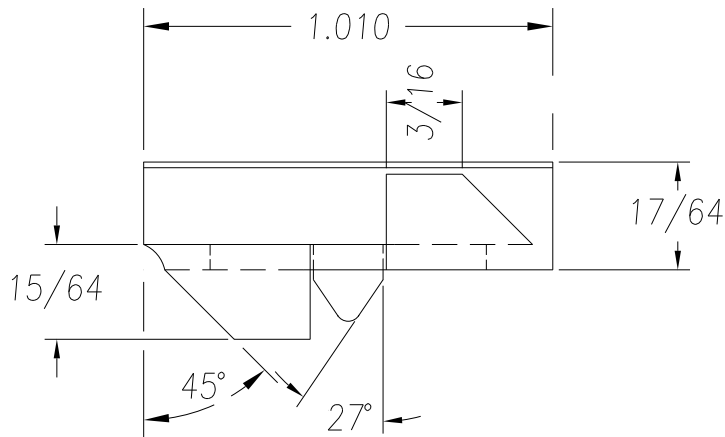


| REVISION | | | |
|----------|-------------|------|----|
| REV | DESCRIPTION | DATE | BY |



| | | | |
|--------------------------------------------------------------------------------------------------------|------------------------------------------------------------------------------------------------------------------------------------------------------------------------------------------|---------------|----------------------------------|
| MATERIAL C.R.S. | GAUGE 17 | WIDTH | FINISH PLATING QUALITY |
| ALLOY | THIS DRAWING AND ITS CONTENTS ARE CONFIDENTIAL AND ARE NOT TO BE REPRODUCED, USED OR COPIED IN WHOLE OR IN PART OR DISCLOSED TO OTHERS EXCEPT AS AUTHORIZED BY SAMSON ROLL FORM PRODUCTS | | SAMSON ROLL FORMED PRODUCTS |
| TEMPER | | | |
| WT. PER M/FT. | | | |
| -TOLERANCES- NOT INDICATED .XXX ±.010 .XX ±.030 .X ±.060 FRACTIONAL ±1/32 ANGLES ±1° | DRAWN BY: E.M. 11/4/97 | | TITLE ATHLETIC FLOORING CLIP. |
| | CHECKED BY: | | DATE: |
| DO NOT SCALE THIS DRAWING | | SCALE: 2:1 | DRAWING # S-1414 |
| | | SHEET # | REV. |

