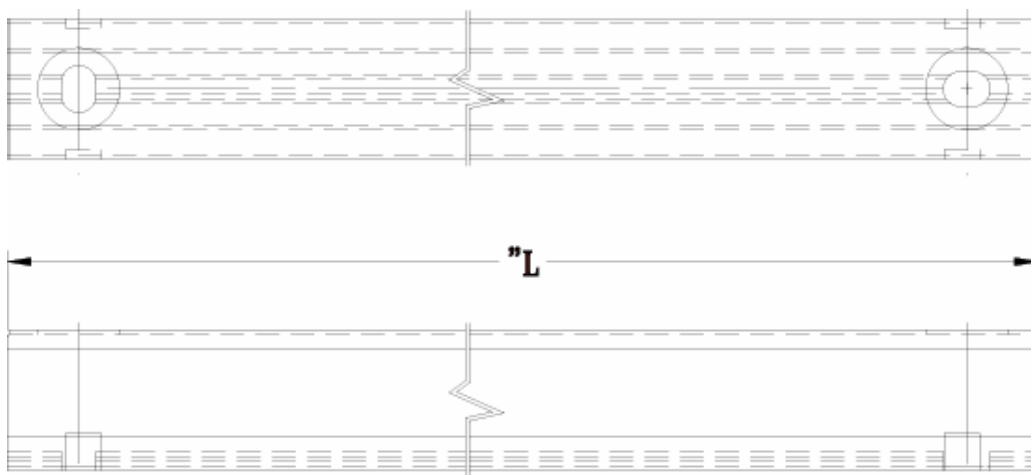
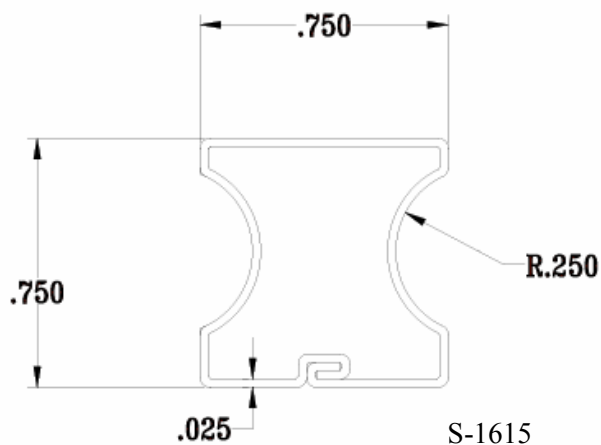


Tubing/Lockseam—Shower Wall Bar



ROLL FORMED PRODUCTS COMPANY

Samson Roll Formed Products Company
 6101 West Oakton Street
 Skokie, Illinois 60077

Phone: (847) 965-6700
 Fax: (847) 965-8950
 E-mail: sales@samsonrollform.com

samsonrollform.com