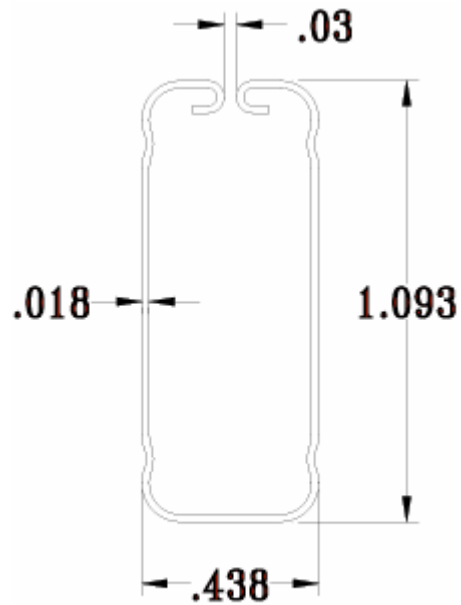


# Channels—Bottom Bar (Hemline Channel)



S-1217



ROLL FORMED PRODUCTS COMPANY

Samson Roll Formed Products Company  
6101 West Oakton Street  
Skokie, Illinois 60077

Phone: (847) 965-6700  
Fax: (847) 965-8950  
E-mail: [sales@samsonrollform.com](mailto:sales@samsonrollform.com)

[samsonrollform.com](http://samsonrollform.com)