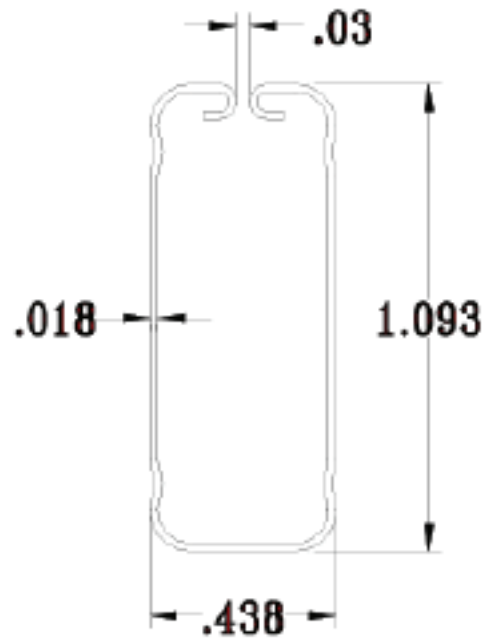


Channels—Bottom Bar (Hemline Channel)



S-1217



ROLL FORMED PRODUCTS COMPANY

Samson Roll Formed Products Company
6101 West Oakton Street
Skokie, Illinois 60077

Phone: (847) 965-6700
Fax: (847) 965-8950
E-mail: sales@samsonrollform.com