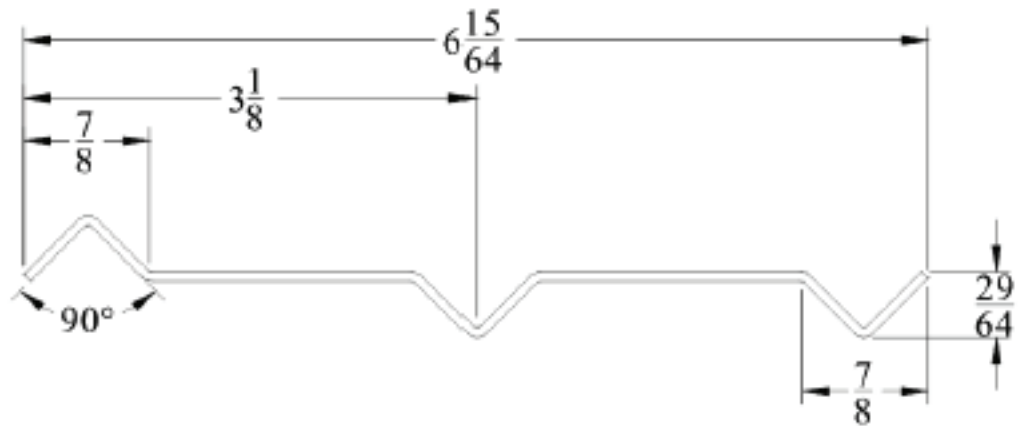
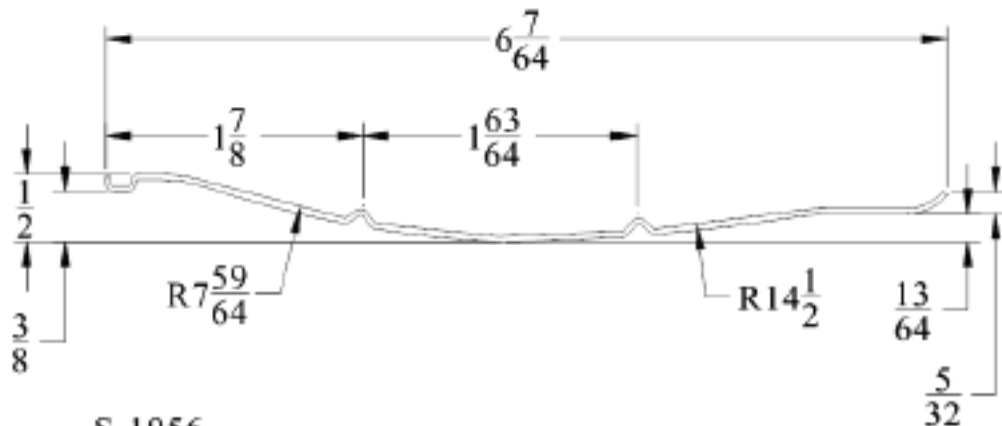


Baffle/Louver— HVAC



S-1951
16 ga. H.D.G.



S-1956
20 ga. H.D.G.



ROLL FORMED PRODUCTS COMPANY

Samson Roll Formed Products Company
6101 West Oakton Street
Skokie, Illinois 60077

Phone: (847) 965-6700
Fax: (847) 965-8950
E-mail: sales@samsonrollform.com