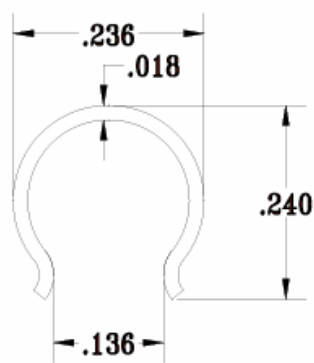
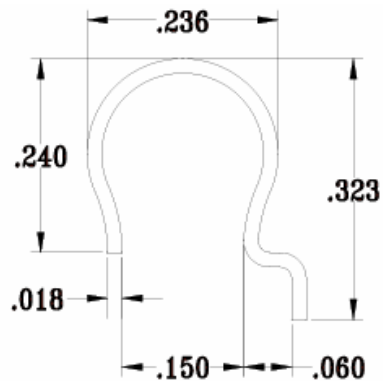


Roller Track Caps - Fenestration (Door/Window)



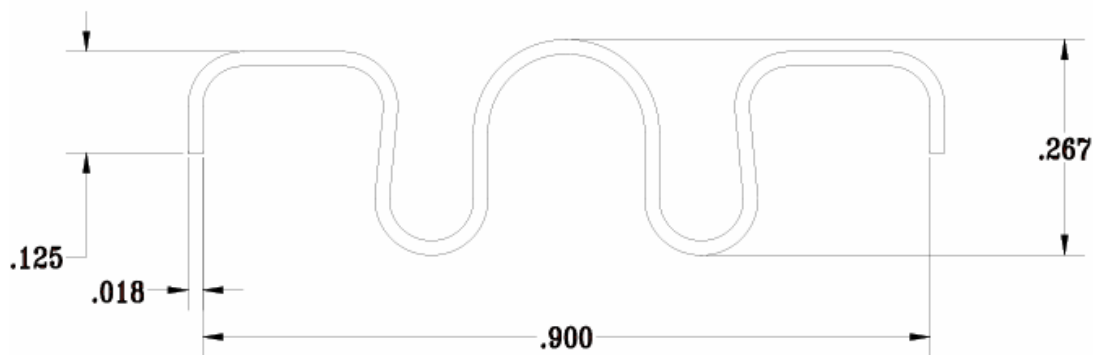
S-1889

ACTUAL SIZE



S-1895

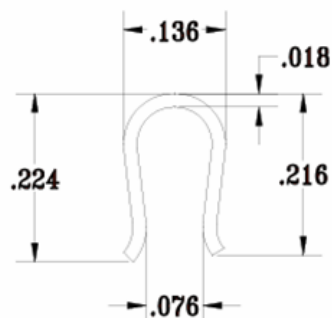
ACTUAL SIZE



S-2017



FULL SIZE.



FULL SIZE



Samson Roll Formed Products Company
6101 West Oakton Street
Skokie, Illinois 60077

samsonrollform.com

Phone: (847) 965-6700
Fax: (847) 965-8950
E-mail: sales@samsonrollform.com