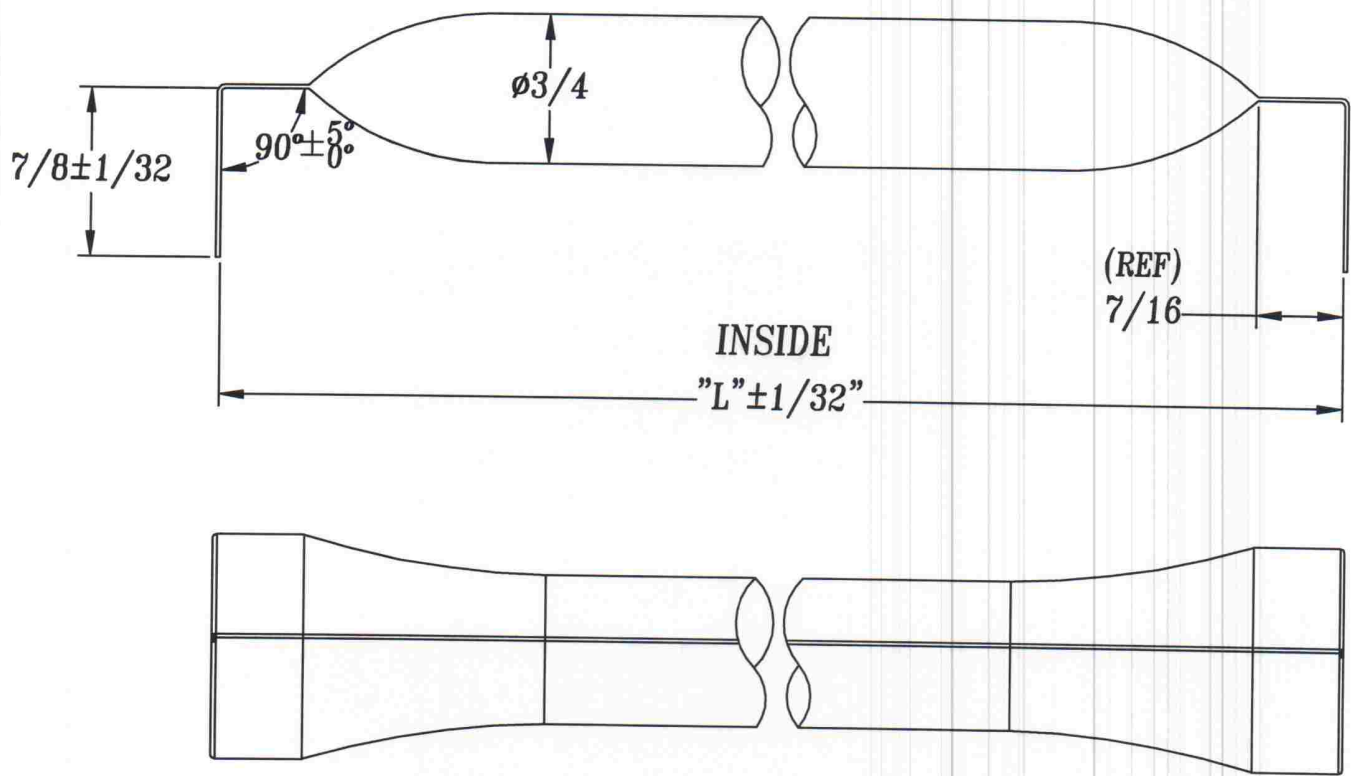


REVISION			
REV	DESCRIPTION	DATE	BY



ROLL LENGTH = L + 1 13/16"

MAXIMUM BURR NOT TO EXCEED 10% OF MAT'L THICKNESS WITH THE EXCEPTION OF CUT ENDS, WHICH MAY HAVE BURR EXCEEDING THIS AMOUNT.

FOR FINISHED LENGTH DIMENSION("L"), REFER TO PURCHASE ORDER.

MATERIAL C.R.S.	GAUGE 28	WIDTH	FINISH SHOTBLAST
COATING TIN PLATE	THIS DRAWING AND ITS CONTENTS ARE CONFIDENTIAL AND ARE NOT TO BE REPRODUCED, USED OR COPIED IN WHOLE OR IN PART OR DISCLOSED TO OTHERS EXCEPT AS AUTHORIZED BY SAMSON ROLL FORM PRODUCTS	SAMSON ROLL FORMED PRODUCTS	
TEMPER			
WT. PER M/FT.		PH 708-965-6700 FAX 708-965-8950 6101 W OAKTON ST. SKOKIE, IL 60077	
-TOLERANCES- NOT INDICATED .XXX ±.010 .XX ±.030 .X ±.060 FRACTIONAL ±1/32 ANGLES ±1'	DRAWN BY: E.M.	DATE: 10/11/07	TITLE 3/4 LOCKSEAM TUBE WITH 7/8" LEGS
	CHECKED BY:	DATE:	SIZE A
DO NOT SCALE THIS DRAWING	SCALE:	DRAWING # S-1263-99	CUSTOMER SHEET # REV.