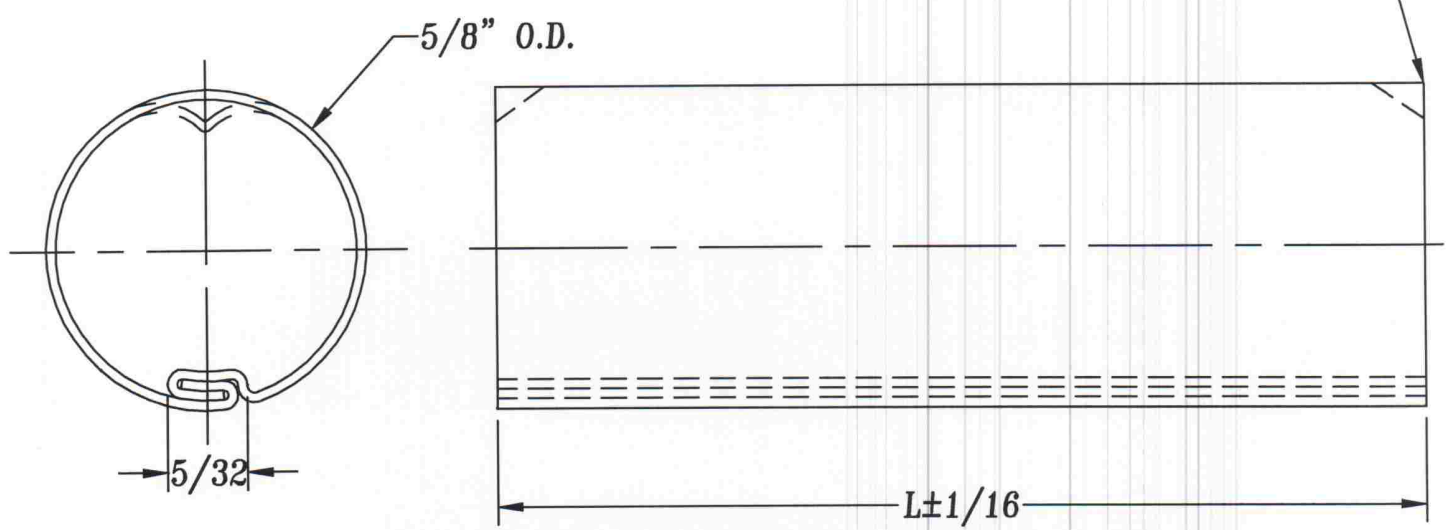


REVISION			
REV	DESCRIPTION	DATE	BY



ACTUAL SIZE.

**DIMPLE FROM CUT-OFF OPERATION
PERMITTED ON BOTH ENDS OF TUBE.
(OPPOSITE SIDE OF LOCK SEAM ONLY.)**



MATERIAL C.R.S.	GAUGE 28	WIDTH	FINISH WHITE.
COATING PRE-PAINTED	THIS DRAWING AND ITS CONTENTS ARE CONFIDENTIAL AND ARE NOT TO BE REPRODUCED, USED OR COPIED IN WHOLE OR IN PART OR DISCLOSED TO OTHERS EXCEPT AS AUTHORIZED BY SAMSON ROLL FORM PRODUCTS	SAMSON ROLL FORMED PRODUCTS	
TEMPER C.Q.			
WT. PER M/FT.		PH 708-965-6700 FAX 708-965-8950 6101 W OAKTON ST. SKOKIE, IL 60077	
-TOLERANCES- NOT INDICATED .XXX ±.010 .XX ±.030 .X ±.060 FRACTIONAL ±1/32 ANGLES ±1°	DRAWN BY: E.M. 9/22/97	DATE:	TITLE 5/8" LOCK SEAM TUBE.
	CHECKED BY:	DATE:	SIZE A
DO NOT SCALE THIS DRAWING	SCALE: N.T.S.	DRAWING # S-1261	SHEET # REV. A